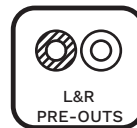
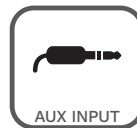
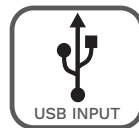


WAKE

Below. JBL-R3500.



JBL = Legendary Audio

JBL's all new marine source unit, the JBL R3500, is the culmination of precise engineering and performance. With a bold new look and key audio features, this all weather stereo will be glad to accompany you and your family for a day on the water. An IPX7 weatherproof face patiently waits for rain, UV, salt and whatever else the elements may be.

Features

- ▶ 4X55W peak @ 4 Ω
- ▶ 2 ohm stable
- ▶ BT5.0
- ▶ USB input
- ▶ Aux input
- ▶ Pre-outs (L&R)
- ▶ Backlit rotary encoder
- ▶ Backlit power button
- ▶ IPX7 (Face)
IPX3 (Rear)
- ▶ Rear amp plug

Features and Benefits

Tuner

Understanding the need to listen to the ballgame, talk radio, or your favorite radio pop station, this source unit was thoughtfully engineered to master AM, FM and WB

2 Ohm Stability

If you're looking to add additional speakers, such as 4 hardtop speakers to your existing 4 interior speakers, JBL's 2 ohm stability will allow you to do just that. And no need to purchase an additional amplifier to do so!

BT5.0

While lesser stereos integrate older BT technology, the JBL R3500 incorporates BT5.0. BT5 allows two boaters to connect at the same time, allowing multiple users to take turns playing tunes. BT5 also transfers data faster and has a greater range than BT4.2

USB Input

With USB input, play your favorite mp3 and wma tracks via a USB drive. In addition, this port can also be used to charge your smartphone, which means not missing an important phone call or your tunes!

Reliability Testing

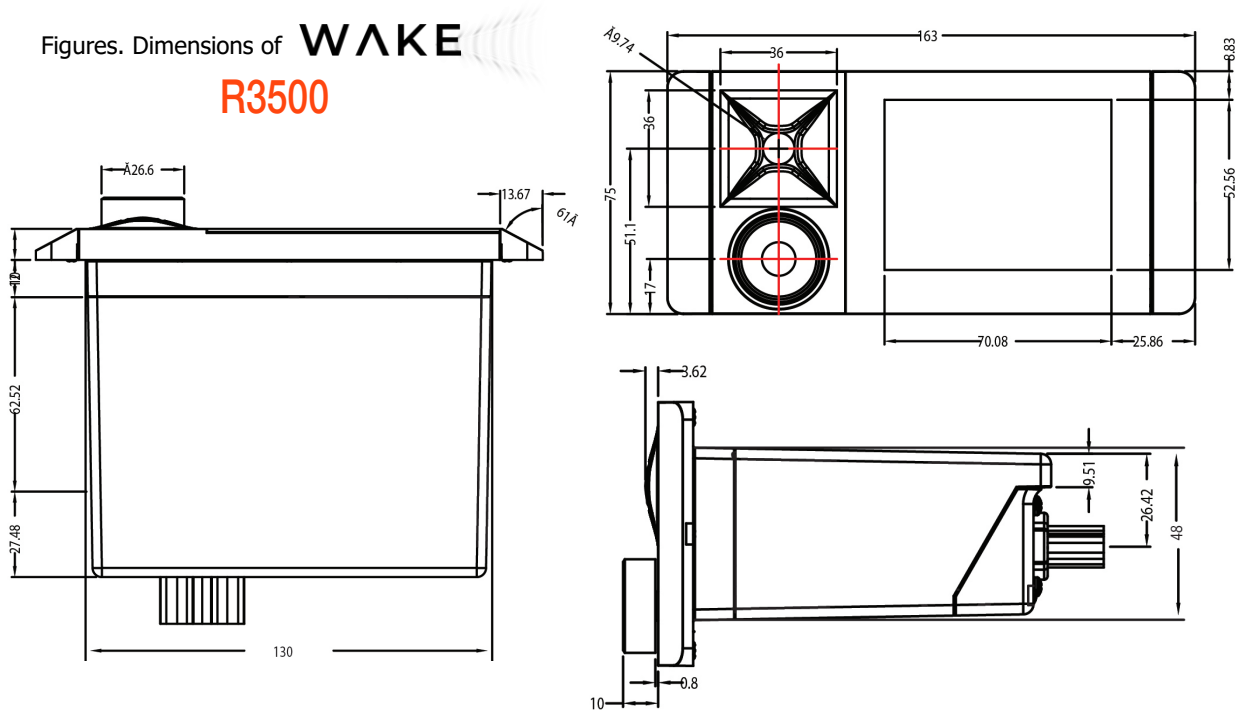
The R3500 undergoes a testing process that leaves the competition in its wake. From UV to salt spray to rain to beer spillage, we test so that you enjoy your music all day.

JBL at an Affordable Price

This is JBL. You know the speaker brand used onstage at Woodstock and the speakers used at music venues, cinemas and cars worldwide. If you know audio, then JBL is your co-captain on the water!



Figures. Dimensions of **WAKE**
R3500



Optional Accessories

- Silicone Waterproof Cover – Part A3000/CVR
- Aux and USB combination adapter – Part SEAUSBMINI36
- JBL 6½”, 8” or 10” Passive Subwoofer – Part JBLMS65W, JBLMS8W, or JBLMS10W respectively.
- Amplified powered antenna – Part SEACAAM/FM